

Project \_\_\_\_\_  
 Item \_\_\_\_\_  
 Quantity \_\_\_\_\_  
 CSI Section 11400  
 Approved \_\_\_\_\_  
 Date \_\_\_\_\_

# Indigo® Series

1800 Ice Cube Machine

## Models - 60Hz

- |                                   |                                   |                                   |                                   |
|-----------------------------------|-----------------------------------|-----------------------------------|-----------------------------------|
| <input type="checkbox"/> IR-1800A | <input type="checkbox"/> ID-1802A | <input type="checkbox"/> IR-1890N | <input type="checkbox"/> ID-1803W |
| <input type="checkbox"/> IY-1804A | <input type="checkbox"/> IY-1805W | <input type="checkbox"/> IY-1894N | <input type="checkbox"/> ID-1892N |



Indigo® Series



Indigo Series i-1800  
Ice Machine on B-970 Bin

Designed for operators who know that ice is critical to their business, the Indigo® Series ice machine's preventative diagnostics continually monitor itself for reliable ice production. Improvements in cleanability and programmability make your ice machine easy to own and less expensive to operate.

- **Space-Saving Design** - Up to 1,860 lbs. (845 kgs.) daily ice production and only 48" (121.92 cm) wide.
- **Intelligent Diagnostics** - provide 24 hour preventative maintenance and diagnostic feedback for trouble free operation.
- **Acoustical Ice Sensing Probe** - for reliable operation in challenging water conditions.
- **EasyRead® Display** - communicates operating status, cleaning reminders, and asset information through a blue illuminated display.
- **Programmable Ice Production** - by On/Off Time, Ice Volume or Bin Level (with accessory bin level control) further improves energy efficiency and savings.
- **Easy to Clean Foodzone** - Hinged front door swings out for easy access. Removable water-trough, distribution tube, curtain, and sensing probes for fast and efficient cleaning. Select components made with AlphaSan® antimicrobial.
- **DuraTech™ Exterior** - provides superior corrosion resistance. Stainless finish with innovative clear-coat resists fingerprints and dirt.
- **Available LuminIce® II Growth Inhibitor** controls the growth of bacteria and yeast within the foodzone.

## Ice Machine Electric

208-230/60/1 standard (208-230/60/3 and 230/50/1 also available.)

<b>Minimum circuit ampacity:</b>	<b>Maximum fuse size:</b>
Air-cooled: 23.8-1ph / 15.4-3ph	Air-cooled: 40-1ph / 25-3ph
Water-cooled: 22.4-1ph / 14.0-3ph	Water-cooled: 40-1ph / 25-3ph
Remote-cooled: 23.4-1ph / 15.0-3ph	Remote-cooled: 40-1ph / 25-3ph

## Specifications

**BTU Per Hour:**  
30,000 (average),  
and 35,000 (peak)

**Refrigerant:**  
R-404A CFC-free

- Operating Limits:**
- Ambient Temperature Range: 35° to 110°F (1.7° to 43.3°C)
  - Water Temperature Range: 35° to 90°F (1.7° to 32.2°C)
  - Water Pressure Ice Maker Water In: Min. 20 psi (137.9 kPa) Max. 80 psi (551.1 kPa)



## Ice Shape



**Half Dice**  
3/8" x 1 1/8" x 7/8"  
(.95 x 2.86 x 2.22 cm)



**Dice**  
7/8" x 7/8" x 7/8"  
(2.22 x 2.22 x 2.22 cm)



**Regular**  
1 1/8" x 1 1/8" x 7/8"  
(2.86 x 2.86 x 2.22 cm)



COMPANY WITH  
QUALITY SYSTEM  
CERTIFIED BY DNV  
= ISO 9001:2008 =



## i-1800 on B-970 Storage Bin

- Ⓐ Electrical Entrance (2) Options
- Ⓑ 1/2" (1.27 cm) F.P.T. Water Condenser Outlet (water-cooled units)
- Ⓒ 3/8" (0.95 cm) F.P.T. Water Condenser Inlet (water-cooled units)
- Ⓓ 3/8" (0.95 cm) F.P.T. Ice Making Water Inlet
- Ⓔ 1/2" (1.27 cm) F.P.T. Ice Making Water Drain
- Ⓕ 1/2" (1.27 cm) Auxillary Base Drain Socket
- Ⓖ 3/4" (1.91 cm) Bin Drain
- Ⓗ Air flow for air-cooled models

### Installation Note

#### Air Cooled clearance:

Top: 24" (61.0 cm)

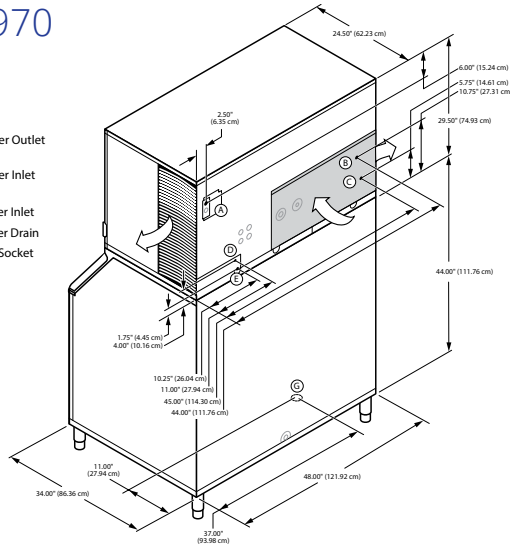
Sides: 24" (61.0 cm)

Back: 5" (30.5 cm)

#### Water Cooled clearance:

Top/Sides: 8" (20.3 cm)

Back: 5" (12.7 cm)



## Space-Saving Designs



**i-1800  
B-970**

Height 79.50"/201.90 cm  
Width 48.00"/121.92 cm  
Depth 34.00"/86.30 cm  
Bin 710 lbs./322.2 kgs.  
Storage

Height includes adjustable bin legs 6.00" to 8.00", (15.24 to 20.32 cm) set at 6.00" (15.24 cm).

## Specifications

	Model	Ice Shape	Ice Production 24 Hours		Power Usage kWh/100 lbs. @90°Air/70°F	Potable Water Usage / 100 lbs. of Ice
			70°Air/ 50°F Water	90°Air/ 70°F Water		
AIR-COOLED	IR-1800A	regular	1,790 lbs.	1,430 lbs.	5.07	22.3 Gal.
			814 kgs	650 kgs		84.4 L
	ID-1802A	dice	1,840 lbs.	1,430 lbs.	5.16	22.3 Gal.
			836 kgs	650 kgs		84.4 L
WATER-COOLED	IY-1804A	half-dice	1,860 lbs.	1,455 lbs.	5.27	22.3 Gal.
			845 kgs	661 kgs		84.4 L
	ID-1803W	dice	1,850 lbs.	1,640 lbs.	3.93	22.3 Gal.
			841 kgs	744 kgs		84.4 L
	IY-1805W	half-dice	1,790 lbs.	1,650 lbs.	3.92	22.3 Gal.
814 kgs			750 kgs	84.4 L		
* Water-cooled Condenser Water Usage / 100 lbs. /45.4 kgs Of Ice: 140 gal./ 530 L. * Water-cooled models are excluded from ENERGY STAR qualification.						
REMOTE-COOLED	IR-1890N	regular	1,690 lbs.	1,420 lbs.	4.99	22.3 Gal.
			768 kgs	645 kgs		84.4 L
	ID-1892N	dice	1,775 lbs.	1,495 lbs.	4.96	22.3 Gal.
			807 kgs	680 kgs		84.4 L
	IY-1894N	half-dice	1,810 lbs.	1,445 lbs.	5.06	22.3 Gal.
			823 kgs	657 kgs		84.4 L

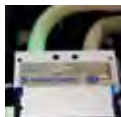
Order ice storage bin separately. To order 3 phase add "3" suffix to model # (ID-1202A3).

Indigo® Series

## Accessories

### Luminice® II Growth Inhibitor

reduces yeast and bacteria growth for a cleaner ice machine.



### Bin Level Control

Allows ice bin level to be automatically set. Built-in LED light illuminates bin.



### Arctic Pure® Water Filters

Reduces sediment and chlorine odors for better tasting ice.



### iAuCS®

schedules and performs routine ice machine cleaning automatically.



Welbilt reserves the right to make changes to the design or specifications without prior notice.