

Project \_\_\_\_\_  
 Item \_\_\_\_\_  
 Quantity \_\_\_\_\_  
 CSI Section 11400  
 Approved \_\_\_\_\_  
 Date \_\_\_\_\_

RFF-0320A

# RFF-0320

## FLAKE ICE MACHINE

### Models

- RFF-0320



Model RFF-0320A  
Flake Ice Machine  
on D-420 Bin

### Standard Features

- Up to 370 lbs. (168 kgs) daily flake ice production.
- High load maintenance free bearing for enhanced reliability.
- Service updates facilitate installation and make cleaning easier.
- Flake ice is perfect for food display, salad bar, and cold therapy/healthcare
- Ice form around object without bruising and hold object in place without tipping/spilling
- Heavy duty stainless steel cabinet resists corrosion



### Specifications

#### Condenser Heat of Rejection (BTU per hour):

5,000 (average)

#### Compressor:

Nominal rating: 1/2 HP

#### Refrigerant:

R-404A

#### Operating Limits:

- Ambient Temperature Range: 50°-110°F (10°-43°C)
- Water Temperature Range: 37°-90°F (3°-32°C)
- Water Pressure Ice Maker  
Water In:  
Min. 14 psi (96.5 kPa)  
Max. 80 psi (551.1 kPa)

### Ice Machine Electric

115/60/1 standard. (230/50/1 also available.)

#### Minimum circuit ampacity:

12.8 amps.

#### Maximum fuse size:

20 amps.

HACR-type circuit breakers can be used in place of fuses.

### Standard Features

Flake ice is small hard bits of ice ideally suited for presentation applications.



Ice shown actual size



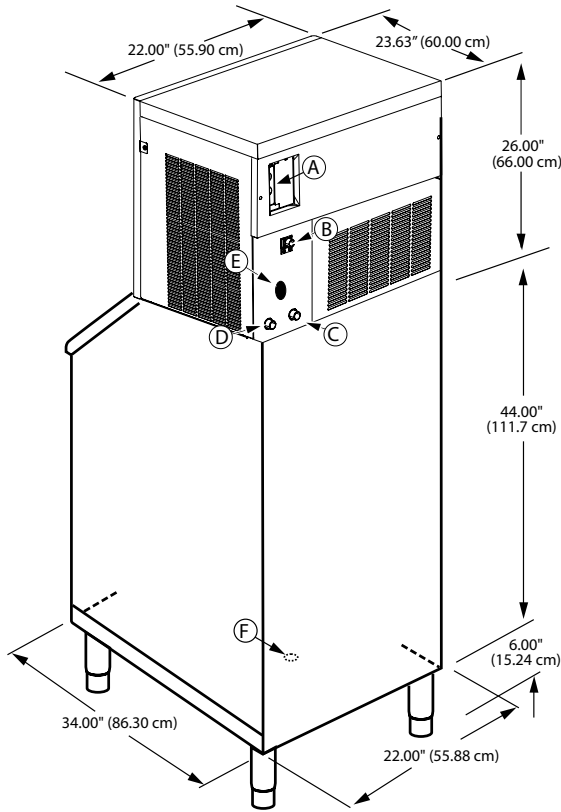
UL STD 563  
CAN/CSA-C22.2 No. 120

SANITATION  
NSF/ANSI STD 12





### RFF-0320 on D-420



**Installation Note -**  
 Minimum installation clearance:  
 Top/sides: 8" (20.32 cm),  
 Back: 5" (12.70 cm).

- Ⓐ Electrical Entrance (2) Options
- Ⓑ 3/8" F.P.T. Condenser Inlet (water-cooled only)
- Ⓒ 1/2" M.P.T. Condenser Drain (water-cooled only)
- Ⓓ 1/2" M.P.T. Ice Making Water Drain
- Ⓔ 3/8" F.P.T. Ice Making Water Inlet
- Ⓕ 3/4" Bin Drain

### Ice Machine Electric



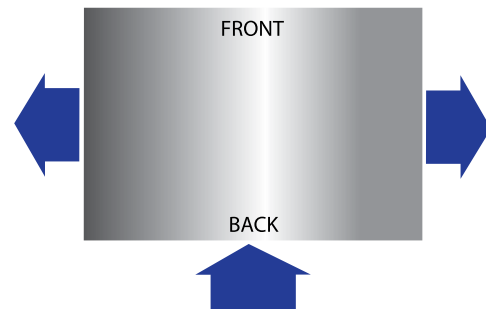
|             | RFF-0320 on D-420 |
|-------------|-------------------|
| Height      | 76.00"            |
|             | 193.00 cm         |
| Width       | 22.00"            |
|             | 55.90 cm          |
| Depth       | 34.00"            |
|             | 86.36 cm          |
| Bin Storage | 310 lbs.          |
|             | 140.7 kgs         |

Height includes adjustable bin legs 6.00" to 7.00", (15.24 to 17.78 cm) set at 6.00" (15.24 cm).

### Ice Machine Electric

K-00443 30" D Style Bin Adapter

### Air Flow Overhead View



K-00365 30" B Style Bin Adapter

RFF-0320A

| Air-Cooled Ice Machine | Model | Ice Shape | Ice Production 24 Hours                   |   | Power kWh/100 lbs @ 90°Air/70°F | Potable Water Usage (100 lbs./45.4 kgs of Ice) |
|------------------------|-------|-----------|---|---|---------------------------------|--|
|                        |       |           | 70° Air/50°F Water<br>21° Air/10° C Water | 90° Air/70°F Water<br>32° Air/21° C Water |                                 |  |
|                        |       |           | RFF-0320A                                 | Flake                                     |                                 |  |

Welbilt reserves the right to make changes to the design or specifications without prior notice.